

SentinelPro™ Vandal Resistant Shower Combination (Valve not included)

FEATURES:

- CPT-5001: Shower Valve Trim
- S-2280: Vandal Resistant Wall-Mounted 2.5 GPM (9.5 L/min) Shower Head

VALVE OPTIONS:

- CPV-TP2: Thermostatic/Pressure Balancing Valve
Sweat & Thread Connections

STOCK FINISHES:



PC

STANDARDS:

- ASME A112.18.1/CSA B125.1 certified
- ADA compliant

WARRANTY:

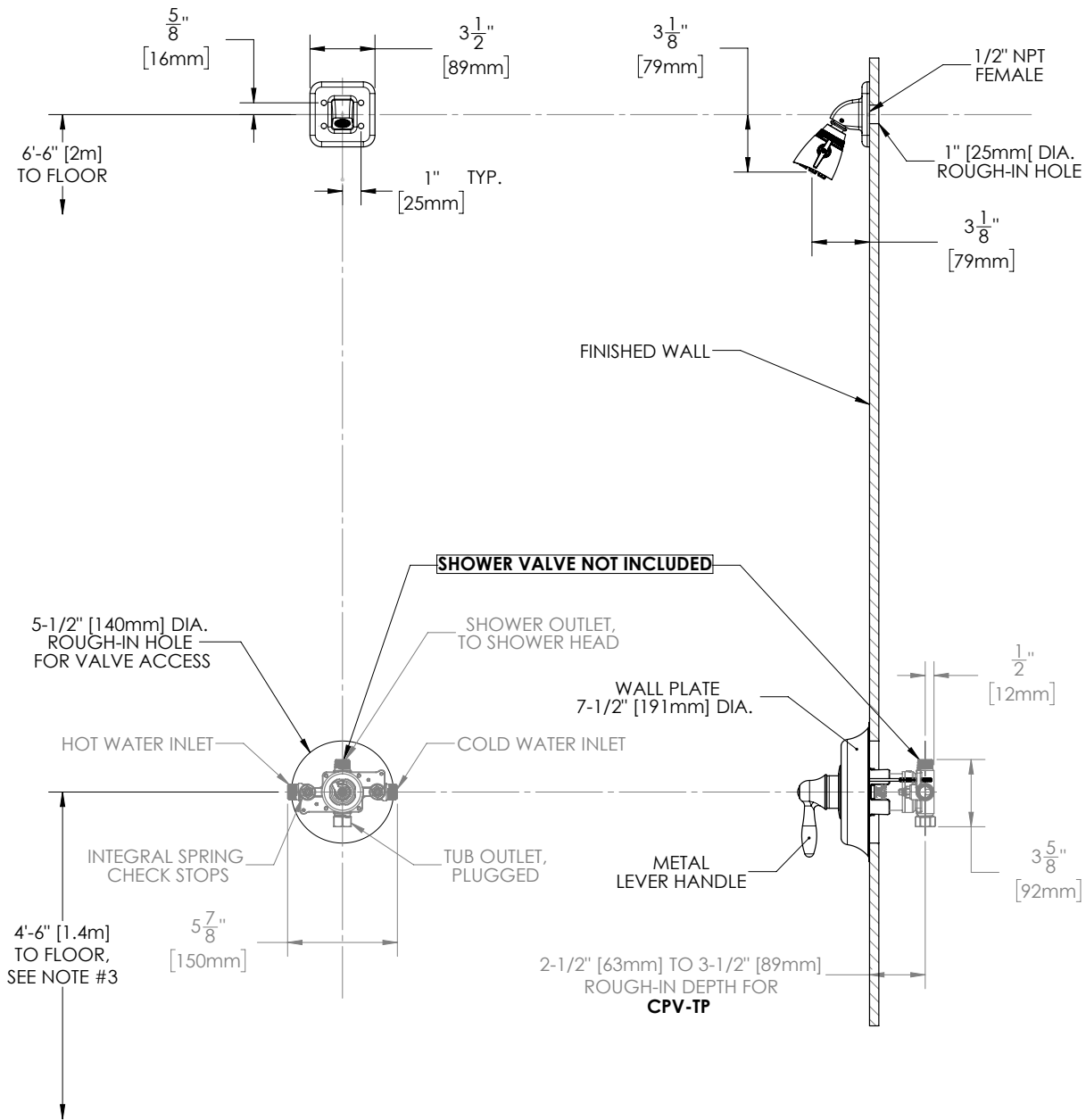
Visit www.speakman.com for full product warranty information

- See Speakman.com For Warranty Information



Information continues on next page

SentinelPro™ Vandal Resistant Shower Combination (Valve not included)

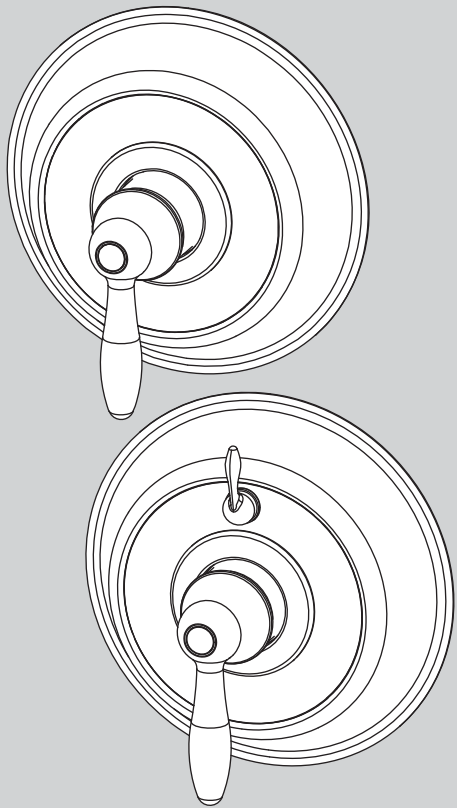


NOTES:

1. ALL DIMENSIONS ARE IN INCHES [MILLIMETERS] UNLESS OTHERWISE SPECIFIED AND ARE SUBJECT TO CHANGE WITHOUT NOTICE.
2. ALL INLETS AND OUTLETS ARE 1/2" FEMALE COPPER SWEAT AND 1/2" MALE NPT UNLESS OTHERWISE SPECIFIED.
3. FOR ADA MOUNTING LOCATIONS CONSULT ADAAG, ANSI A117.1, OR STATE REGULATIONS.

INSTRUCTIONS FOR MODELS

CPT-5001 / CPT-5401



NEED HELP?

For additional assistance or service please contact:

SPEAKMAN® Company
400 Anchor Mill Road
New Castle, DE 19720

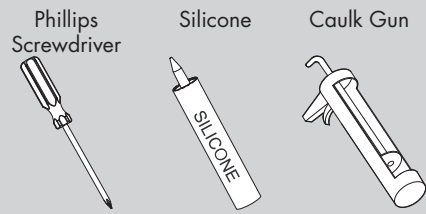
800-537-2107

customerservice@speakman.com

www.speakman.com

92-CPT-5001-01

TOOLS AND SUPPLIES



IMPORTANT

- Do not over-tighten any connections or damage may occur.
- Be sure to read instructions thoroughly before beginning installation.
- This valve has an operating range of 20-80 psi.

SAFETY TIPS

Cover your drain to prevent loss of parts. Be sure to wear eye protection while cutting pipe.

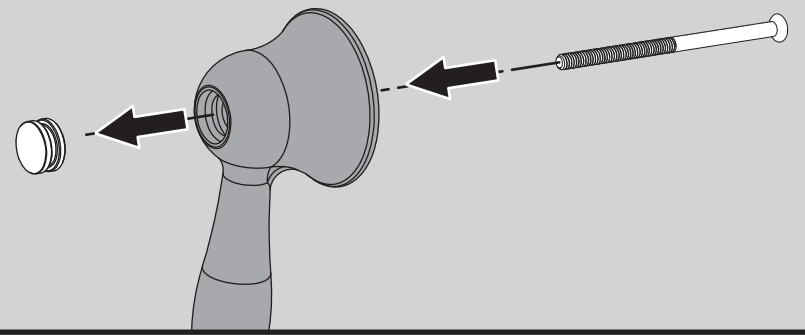
MAINTENANCE

Your new Speakman Product is designed for years of trouble-free performance. Keep it looking new by cleaning it periodically with a soft cloth. The use of harsh chemicals and abrasives on any of the Speakman custom finish products may damage the finish and void the product warranty. Please be sure to only use approved cleaners. Please contact Speakman for any clarification of acceptable cleaners.

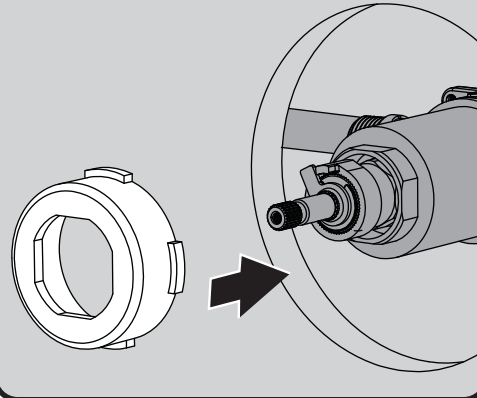
WARRANTY

Additional warranty information can be found at: www.speakman.com

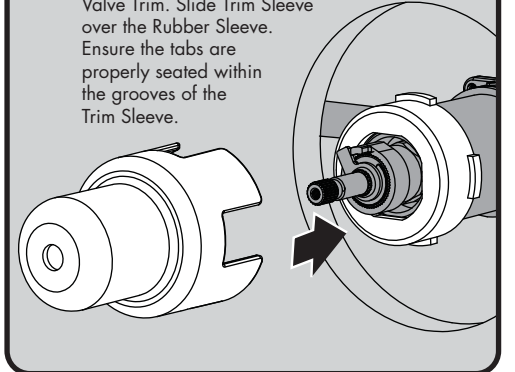
1 Remove the Handle Button Screw by inserting one of the included Mounting Screws thru the hole in the Handle.



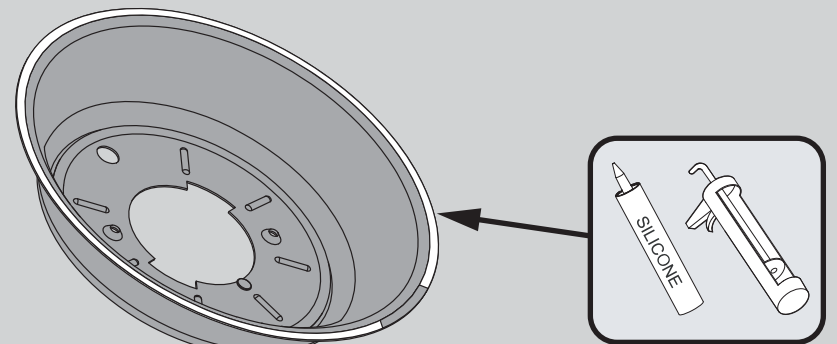
2 Insert the T/P Rubber Sleeve with Tabs over Valve Bonnet.



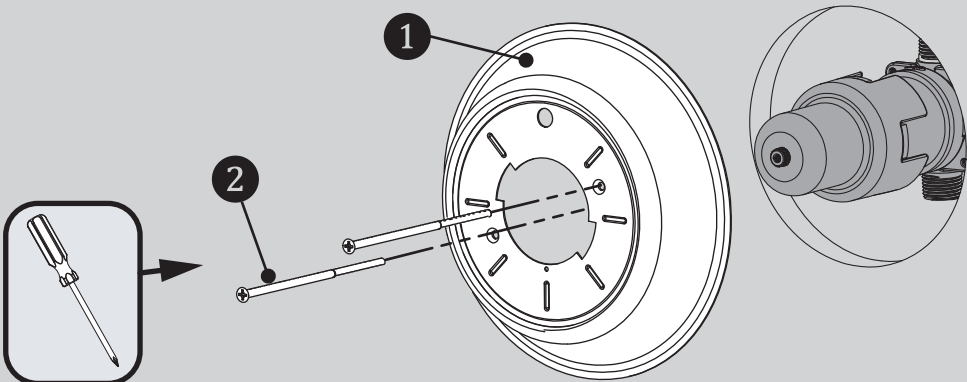
3 Be sure to have properly adjusted the Temperature Limiting Stop (TLS) as per the Valve Installation Instructions before installing Valve Trim. Slide Trim Sleeve over the Rubber Sleeve. Ensure the tabs are properly seated within the grooves of the Trim Sleeve.



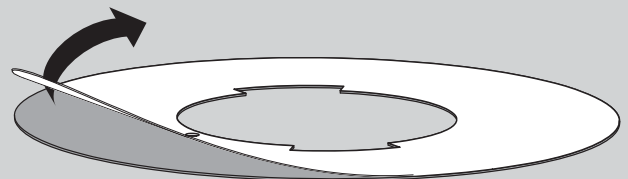
4 Clean wall surface. Orient Wall Plate as shown below. Apply clear silicone sealant to the backside outer flat surface of the Wall Plate, while leaving a small area open at the bottom. This will allow for any moisture to drain.



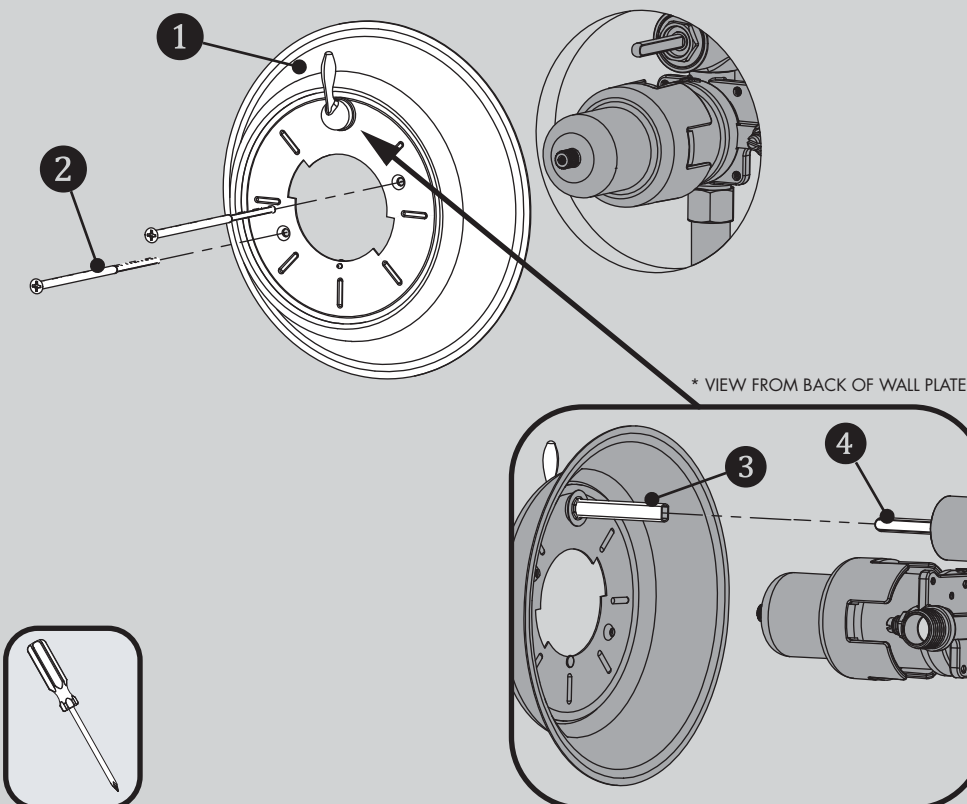
5A FOR CPT-5001 - Align the Wall Plate (1) as shown below. Secure to Valve with the included Mounting Screws (2). Take care to not over tighten Mounting Screws. Remove excess sealant after securing Wall Plate to wall.



6 Remove protective film from Trim Index Plate.



5B FOR CPT-5401 - Align the Wall Plate (1) as shown below. Verify the Diverter Valve Stem is in the OFF (vertical) position. Align the Diverter Drive Tube (3) on the Wall Plate to the Stem (4) of the Diverter Valve. Secure to Valve with the included Mounting Screws (2). Take care to not over tighten Mounting Screws. Remove excess sealant after securing Wall Plate to wall.

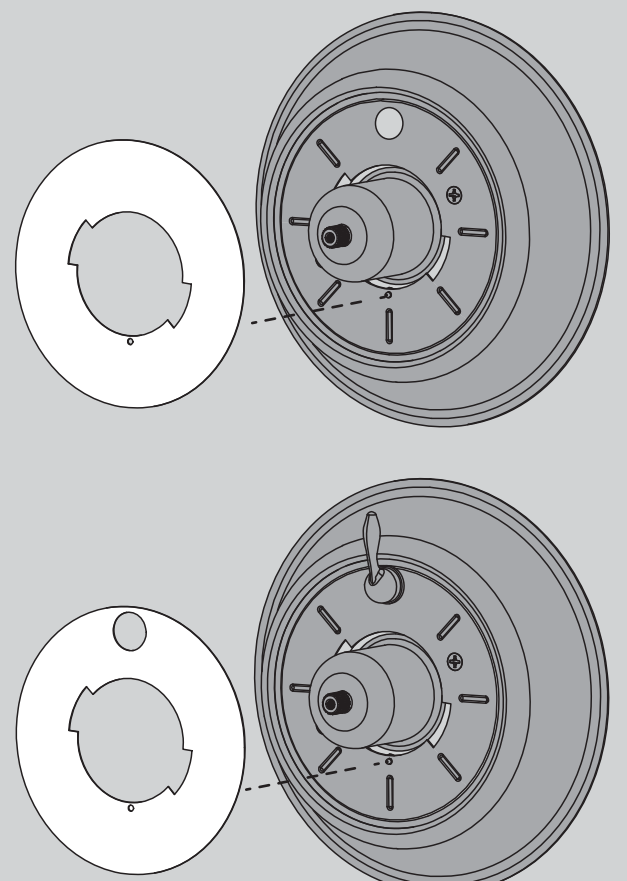


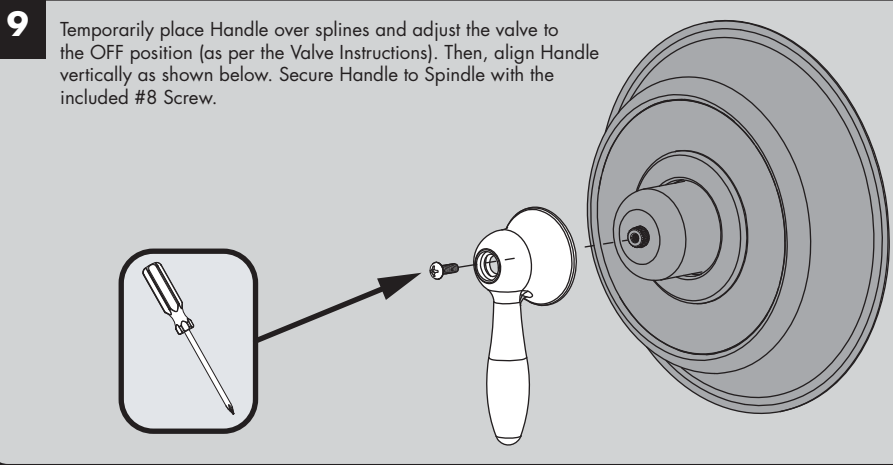
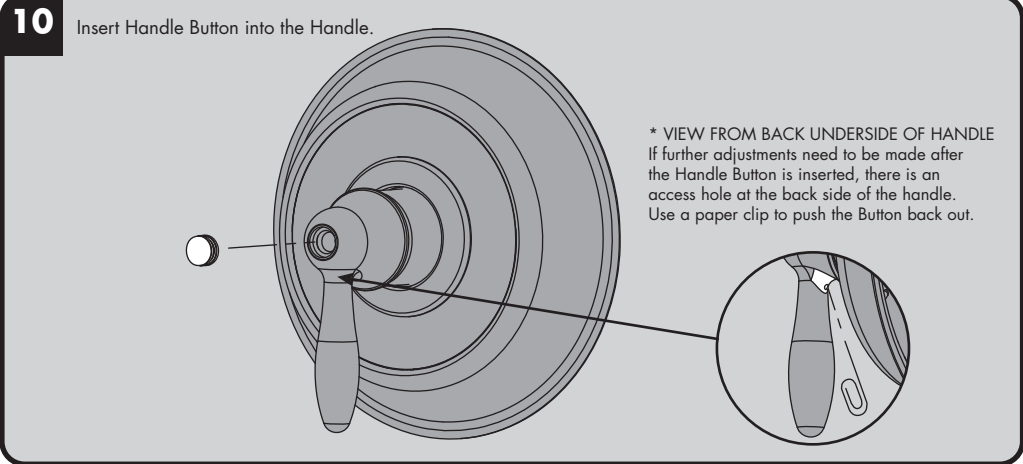
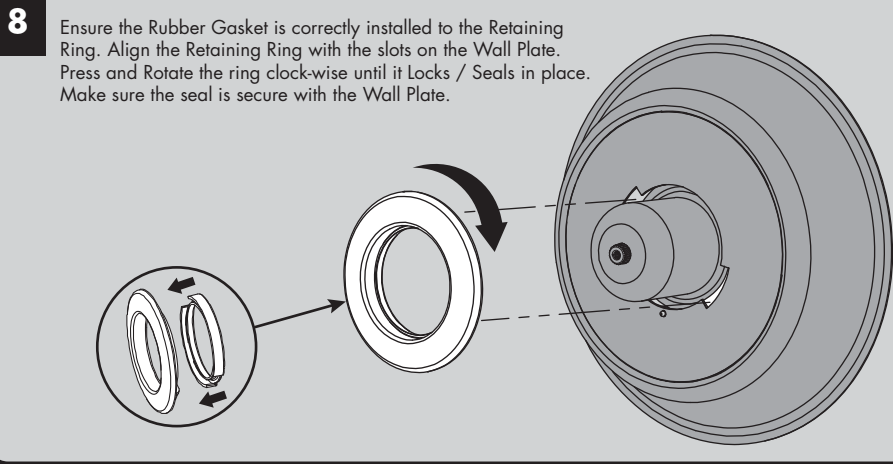
7

CPT-5001: Slide Index Plate over the Trim Sleeve. Align Index Plate with the small Alignment Pin on the Wall Plate, and hold Index Plate in place for the next step.

OR

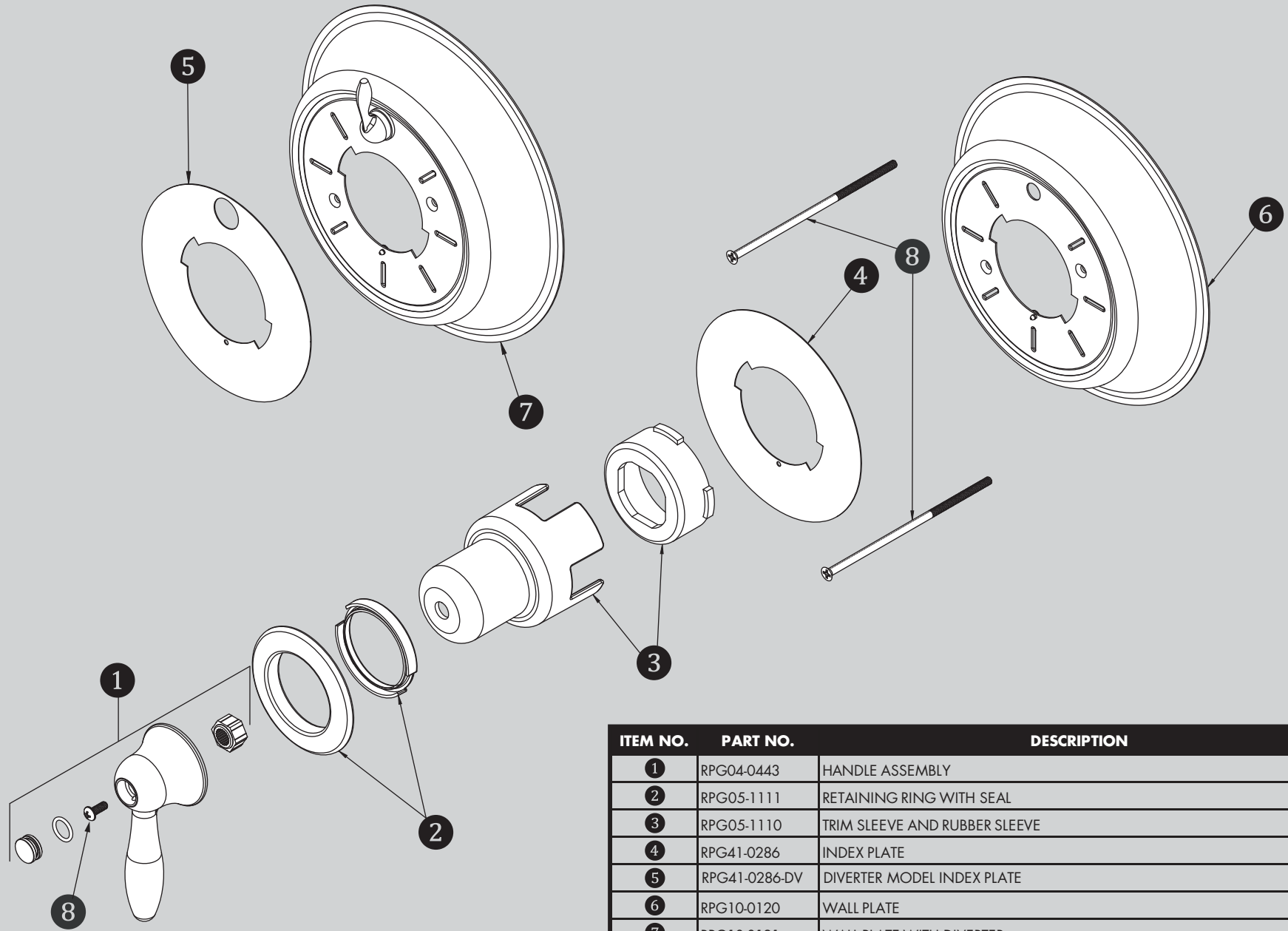
CPT-5401: Slip the upper hole of the Index Plate over the Diverter Handle and then align the large hole of the Index Plate over the Trim Sleeve. Align Trim Index Plate with the small Alignment Pin on the Wall Plate, and hold Index Plate in place for the next step.





CPT-5001 / CPT-5401 REPAIR PARTS

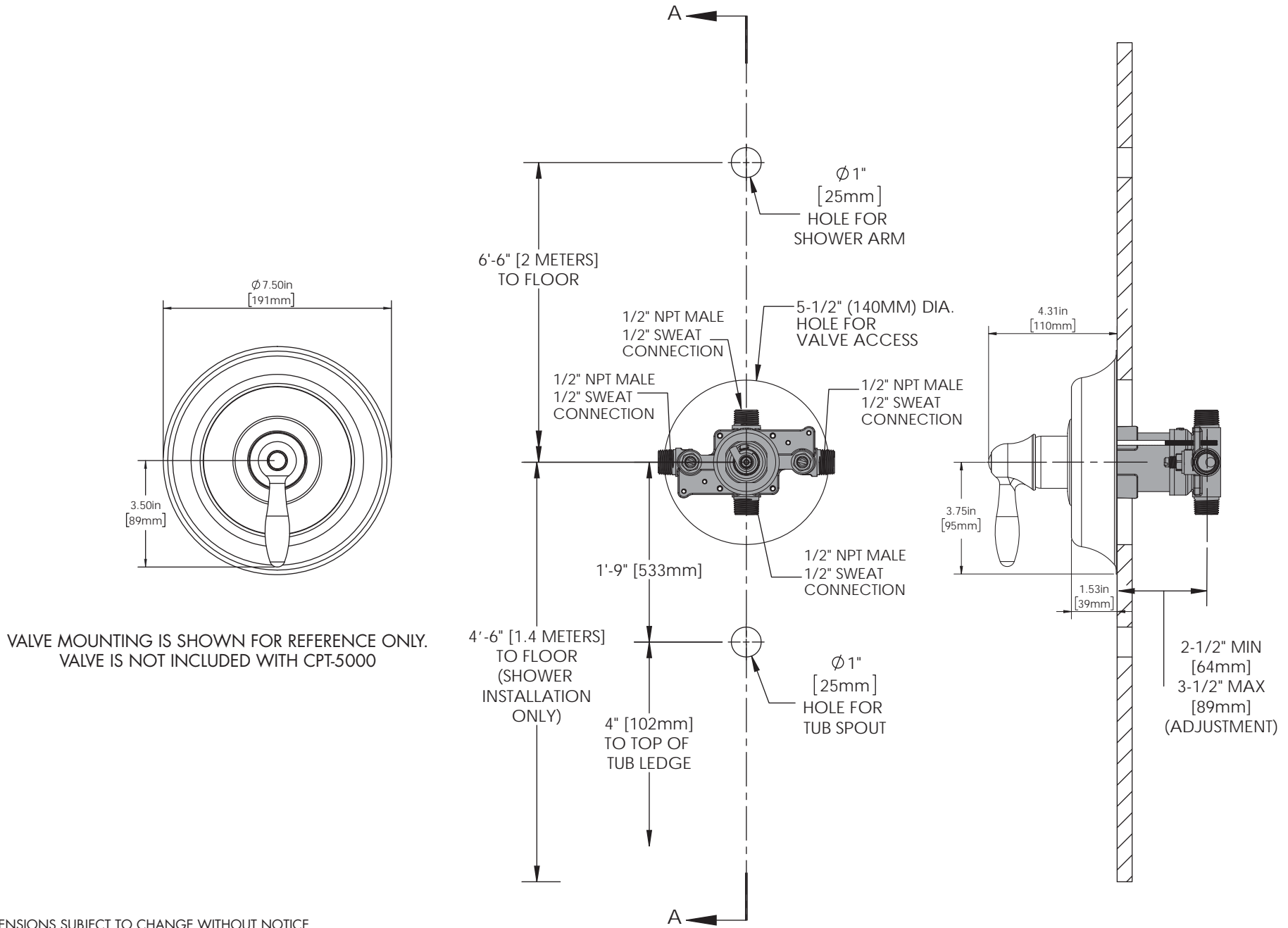
SPEAKMAN®



ITEM NO.	PART NO.	DESCRIPTION
1	RPG04-0443	HANDLE ASSEMBLY
2	RPG05-1111	RETAINING RING WITH SEAL
3	RPG05-1110	TRIM SLEEVE AND RUBBER SLEEVE
4	RPG41-0286	INDEX PLATE
5	RPG41-0286-DV	DIVERTER MODEL INDEX PLATE
6	RPG10-0120	WALL PLATE
7	RPG10-0121	WALL PLATE WITH DIVERTER
8	RPG10-0119	MOUNTING HARDWARE (ALL SCREWS)

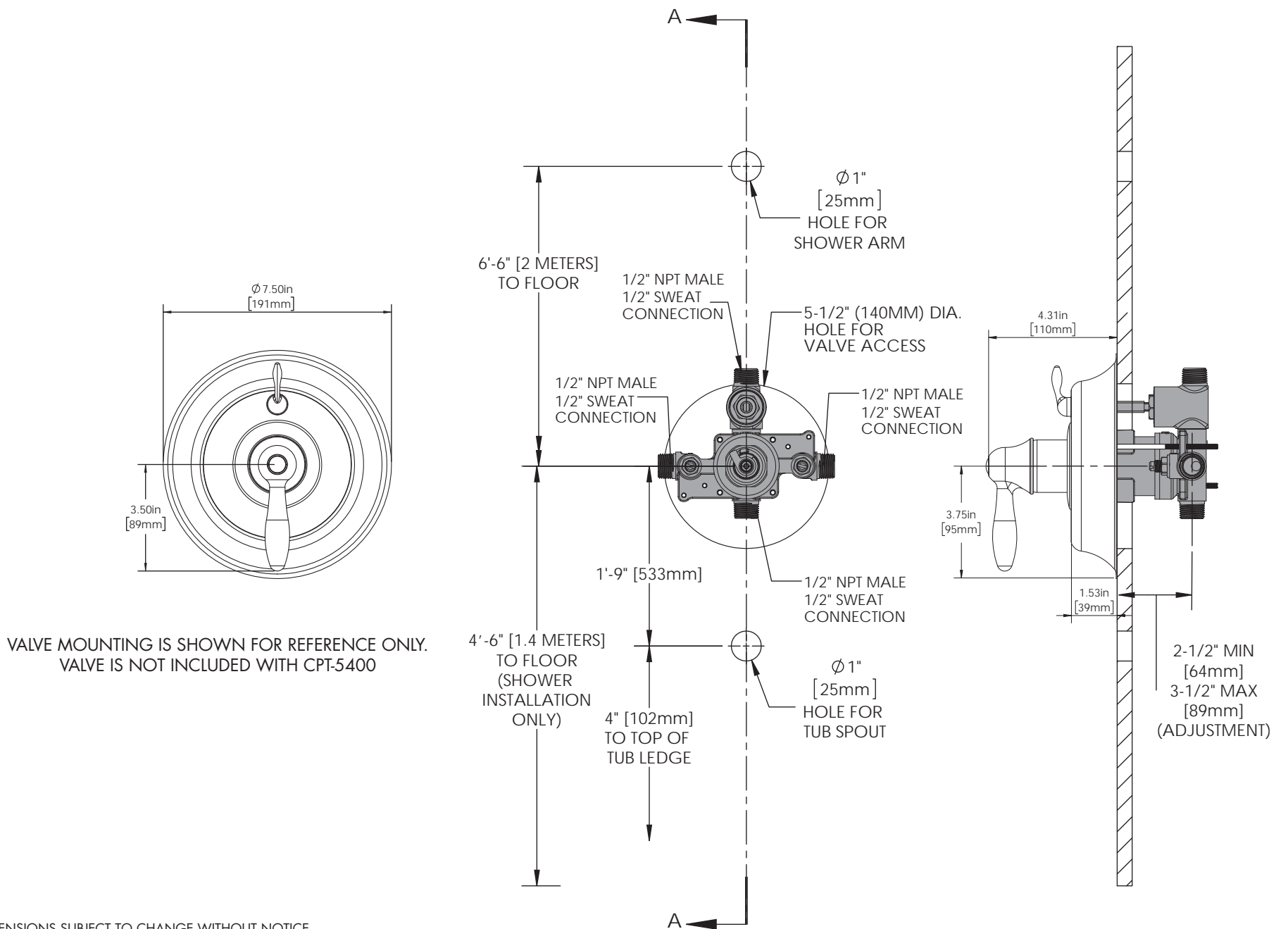
CPT-5001 ROUGH-IN DIAGRAM

SPEAKMAN®



CPT-5401 ROUGH-IN DIAGRAM

SPEAKMAN®



SPEAKMAN®

S-2280

Installation, Operation & Maintenance Instructions

ANYSTREAM® SHOWER HEAD

DESCRIPTION

Polished chrome plated ANYSTREAM wall mounted shower head. Rigid brass ball. Spray adjusting T-handle, 2-1/4" face. 4 Lexan® deposit resisting plungers with 32 spray channels. Drilled for but less mounting bolts. Water conserving pressure compensating AUTOFLO® device reduces flow to 2.5 GPM/9.46LPM maximum, to meet existing ANSI A112.18.1 Standard. Vandal resistant standard. 1/2" NPT back inlet.

SPECIFICATIONS

SUPPLY INLET: 1/2" NPTF
FLOW RATE: 2.5 GPM/9.46LPM MAXIMUM
FLOW CONTROL: VARIABLE
SHIPPING WEIGHT: 2.1 LBS

OPTIONS:

AP	Anchor Plate Assembly with Mounting Screws
BJ	Ball Joint
E15	Low Flow Head (1.5 GPM/ 5.7 LPM) (Ball Joint Only)
E20	Low Flow Head (2.0 GPM/ 7.6 LPM) (Ball Joint Only)

INSTALLATION

Apply pipe thread tape in a clockwise direction to threads of supply nipple. Pipe joint compound may be used instead of tape. Turning in a clockwise direction, thread the showerhead on to the supply nipple. Tighten & position with a strap wrench or a pair of soft jaw pliers. Mark and drill holes for mounting screws (not provided). Note: If necessary, remove shower head and use proper screw anchors (4) (not provided). Turn the water supply on and check for leaks. Tighten mounting screws (4).

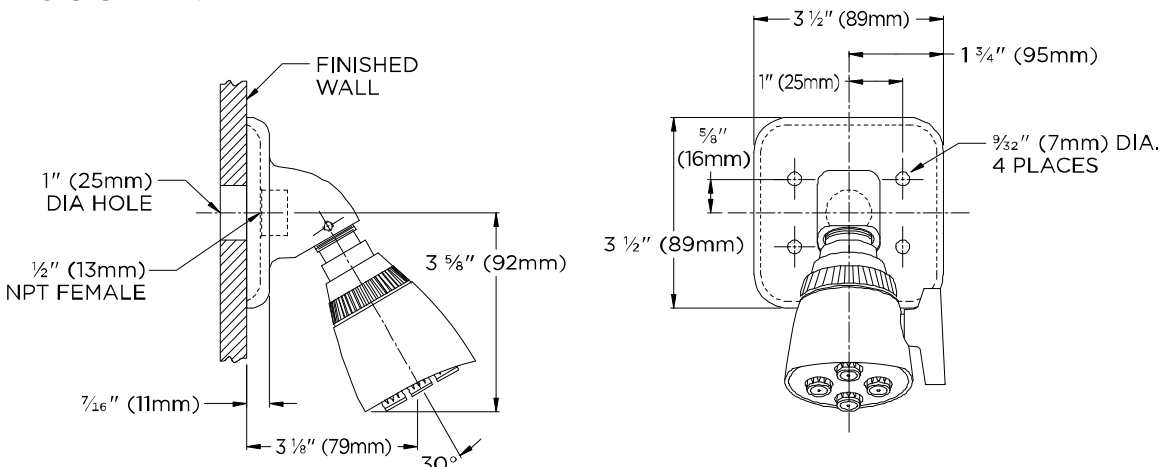
OPERATION

To adjust the spray pattern of the shower head, simply rotate the handle to the desired spray (needle spray, gentle rain or full flood).

MAINTENANCE

The gleaming finish of your SPEAKMAN WATERSAVER® shower head can be cleaned by using mild soap and warm water. Dry immediately with a soft, clean cloth for best results. The flow control device limits water flow to 2.5 gallons per minute. The small orifice may become clogged with scale and other minerals found in potable water. To clean the flow regulator, simply loosen the side set screw and remove the shower head from the flanged elbow, remove the flow control from the brass retainer and clean as necessary.

ROUGH-IN



SPEAKMAN®